

DESCRIPTION

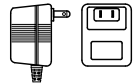
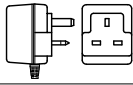
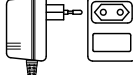
The TOA WT-4820 diversity tuner can accept up to two optional wireless tuner modules of UHF band (WTU-4800).

It can be mounted in a component rack using an optional mounting bracket (MB-WT3, MB-WT4).

SPECIFICATIONS

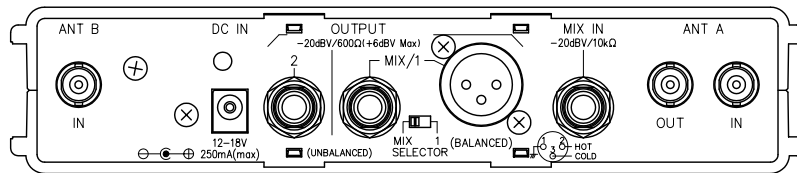
(*1) 0 dB = 1 V

Power Source	AC mains (supplied AC adapter must be used)
Power Consumption	250 mA (12 V DC, when operating with two tuner modules)
Receiving Frequency	576 - 865 MHz (*3), UHF
Mixing Input	-20 dB(*1), 10 kΩ, unbalanced, phone jack
Audio Output	Mixing/Channel 1 (selectable): -20 dB (*1) (+6 dB (*1) Max.), 600 Ω, unbalanced, phone jack -14 dB (*1) (+12 dB (*1) Max.), 600 Ω, balanced, XLR-3-32 type connector Channel 2: -20 dB (*1) (+6 dB (*1) Max.), 600 Ω, unbalanced, phone jack
Antenna Input	75 Ω, BNC (phantom powering for antenna), 9 V DC, 30 mA (max)
Antenna Output	75 Ω, BNC (Gain 0 dB)
Indicator	ANT A/B, Audio (peak), Power
Signal to Noise Ratio	102 dB or more (A-weight, balanced output)
Harmonic Distortion	1 % or less
Frequency Response	50 Hz - 18 kHz, ±3 dB
Operating Temperature	-10 °C to +50 °C (14 °F to 122 °F)
Operating Humidity	30 % to 85 %RH (no condensation)
Finish	Resin, black
Dimensions	210 (W) × 44 (H) × 181 (D) mm (8.27" × 1.73" × 7.13")
Weight	770 g (1.71 lb) (without tuner module)
Accessory	AC adapter (*2) ...1, Whip antenna ...2, Rubber foot ...4
Option	Mounting bracket kit: MB-WT3 (for rack mounting one WT-4820 unit) MB-WT4 (for rack mounting two WT-4820 units)

Version	AC Adapter (*2)	Receiving Frequency (*3)
WT-4820	No AC Adapter is supplied.	576 - 865 MHz, UHF
US	120 V AC, 60 Hz 	
UK	220 - 230 V AC, 50 Hz 	
ER	230 V AC, 50 Hz 	

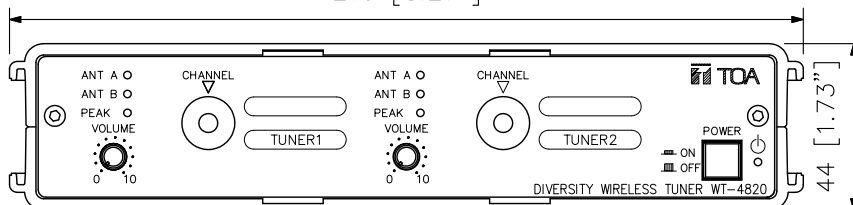
APPEARANCE

Rear View



210 [8.27"]

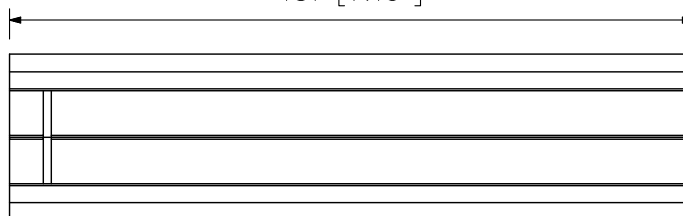
Front View



181 [7.13"]

44 [1.73"]

Side View



UNIT:mm SCALE:1/2